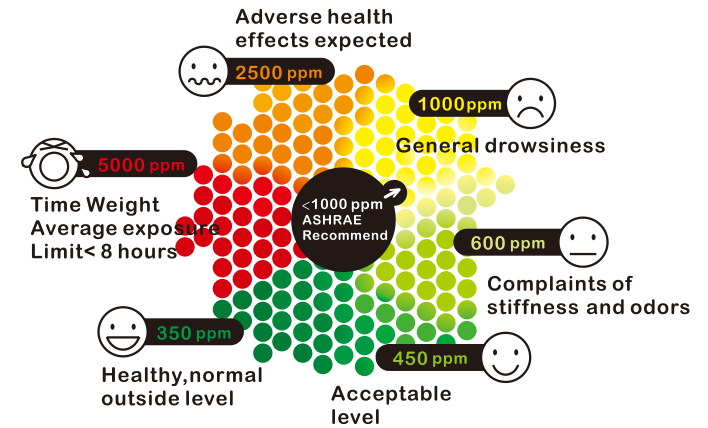
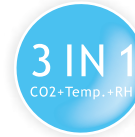


# Monitoring CO2 to Ensure Indoor Air Quality



- < 800ppm
- 800~1200ppm
- > 1200ppm



ZG1683R / ZG1683RU are smart, compact and easy-to-use. In addition to measuring the CO2 concentration, they can also measure the ambient temperature and the relative humidity(CO2+Temp.+RH). These products are developed to detect the presence of CO2 in ambient air and help people to take care of Indoor air Quality.

- Dual Beam NDIR technology to improve the long term stability
- Measure CO2, Temperature and Relative Humidity
- 3 LED display shows the current Indoor Air Quality
- Press “MUTE“ for alarm on/off
- Built in the LCD Backlight for easy reading in the dark
- Connect to PC with data log function (ZG1683RU)



Power Supply  
USB or 5 VDC from external AC/DC adapter



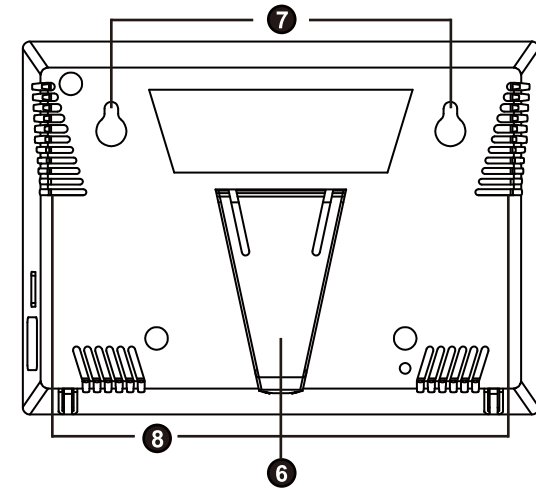
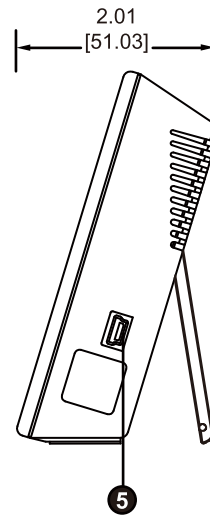
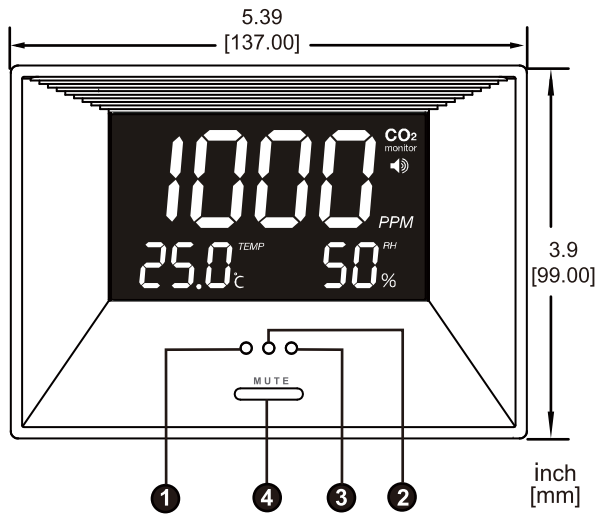
Office



School

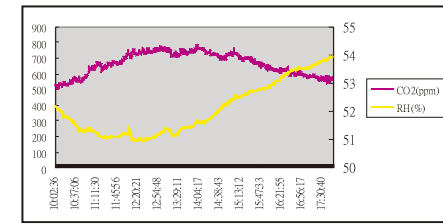
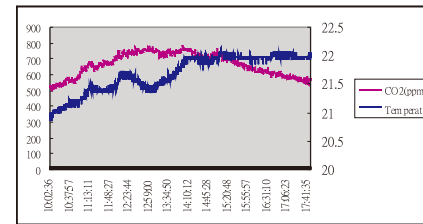


Fitness center



<b>1</b> Green LED Display(<800ppm)	<b>5</b> Power Inlet
<b>2</b> Yellow LED Display(800-1200ppm)	<b>6</b> Housing Stand
<b>3</b> Red LED Display(>1200ppm & buzzer alarm)	<b>7</b> Screw Position
<b>4</b> Mute Button	<b>8</b> Ventilation Slots

Connect to PC with data log function (ZG1683RU)



Please download ZyAura USB HUB PC software from [http://www.zyaura.com/support/support\\_software.htm](http://www.zyaura.com/support/support_software.htm)

## Specifications

(Specifications are subject to change without notice)

**Method** - Dual Beam NDIR

**Display** - LCD Independent CO2, RH and Temperature readings

**Sample Method** - Diffusion or flow through (50 ~200 ml/min)

### ■ Performance - CO2 Channel

**Measurement Range** 0~3000ppm

**Resolution** 1ppm at 0~1, 000 ppm  
5ppm at 1,001~2, 000ppm  
10ppm at 2,001~3, 000ppm

**Accuracy** Under 25°C: ±80 ppm or ±5% of reading (≤2000ppm);  
±7% reading (>2000ppm)

**Repeatability** ±20 ppm @ 400ppm

**Temperature Dependence** Typ. ±0.2% of reading per °C or ±2 ppm per °C, whichever is greater, referenced to 25°C

**Response Time** About 2min for 63% of step change

**Warm-Up Time** 2 min. at 22°C

### ■ Performance - Temperature Channel

**Temperature Range** Display 0 to 50°C (32 to 122°F)

**Display Resolution** 0.1°C(0.1°F)

**Display Options** °C(°F)

**Response Time** 20~30 minutes (case must equilibrate with environment)

### ■ RH Specification

**Measurement Range** 20%~90% RH

**Display Resolution** 1%RH

**Accuracy** ±5% RH@23°C

**Response Time** < 5mins for 63% of step change

### ■ Power Supply

**Power supply** USB or 5 VDC from external AC/DC adapter which is included in package (Use specified AC adapter only)

**DC Output voltage** 5 VDC, 1000A

**AC Input voltage & Frequency** 100 ~ 240 VAC, 0. 2A 50 / 60 Hz

### ■ Communication Interface (ZG1683RU)

**Version** USB 2.0 low speed function

**OS** Windows XP , Window7